



PUMPERS



**ALL THE
PUMPER
IN HALF
THE TIME.**



**WE'RE ALL
MEASURED
BY OUR
RESPONSE
TIMES.**



A black and white photograph of a street at night, shrouded in fog. The street is empty, with white dashed lines marking the road. On the right side, there is a concrete bridge railing with decorative balusters. In the background, several streetlights are visible, their light diffused by the fog. The overall atmosphere is quiet and somewhat somber.

You don't have the luxury to wait.

Your job is to answer every call with skill, efficiency and speed. You need your crew and equipment to always be ready for every emergency; there's no time to wait. That's why Spartan Motors has revolutionized manufacturing response times with the S-180 line of pumpers.

We've cut production time in half by building on our road-proven base models with the most requested specifications. From there, we offer multiple configurations and features, then quickly add on and customize to fit your needs. So you get all the quality and reliability you expect from Spartan, without compromising strength, safety, storage, comfort or your schedule.

**WHAT YOU WANT.
WHEN YOU NEED IT.**







Spartan Advanced Protection System®

If the crew doesn't arrive on the scene safely, even more lives hang in the balance. At Spartan, we face reality head on with cabs that feature the most advanced safety provisions available in the market today.

The Spartan Advanced Protection System® (APS) is the #1 safety system in the industry. Designed and purpose-built for firefighters, it provides forward-thinking apparatus safety, developed around the needs of the first responder. This market-leading system includes:

- Eight airbag positions, the most offered by any OEM, including knee and side curtain airbags. These give your apparatus the highest available impact and anti-ejection protection on the market.
- Innovative seat belt systems and outboard sensors that enable an intelligent restraint control, dramatically reducing restraint system injuries.
- Ergonomic driver controls that help ensure safe and easy operation of the vehicle, because the drive to a rescue should never require its own rescue.
- Third-party testing to ensure cab safety from every perspective. We test for roof crush, front impact, roll stability control, airbags, seat mounting, and seat belt restraint system validation.
- Added hip room and tunnel height provide more space for both driver and officer.

Safe and Spacious Cabs.

Designed with firefighters in mind by offering the most spacious and ergonomic cabs in the industry.

Flat floors, low step heights, and taller, wider cab doors allow firefighters to get in and out quickly at the scene. The Spartan raised roof extends over the driver and officer, making it easier to maneuver within the cab. We've even optimized the engine tunnel to increase leg and hip room for the front seats, while giving more floor space to the rear crew. Our cabs can comfortably seat up to 10 crew members.

Our cabs are designed to be quieter and more comfortable, with every square inch maximized without increasing the 99" width.



WHAT YOU WANT. WHEN YOU NEED IT.

Cab Features

- Higher Roof Lines
- Flat Floor Design
- Entry & Egress
- Advanced Climate Control



A Strong, Long-lasting Foundation

Our galvanized steel chassis frame rails provide strength and integrity while resisting rust and corrosion. They are built to last with low maintenance costs—holding up to the rigors and punishment dished out by hardworking fire departments.

Pump Module

Midship pump house allows increased maneuverability. Top mount configurations are also available.

Quality Construction

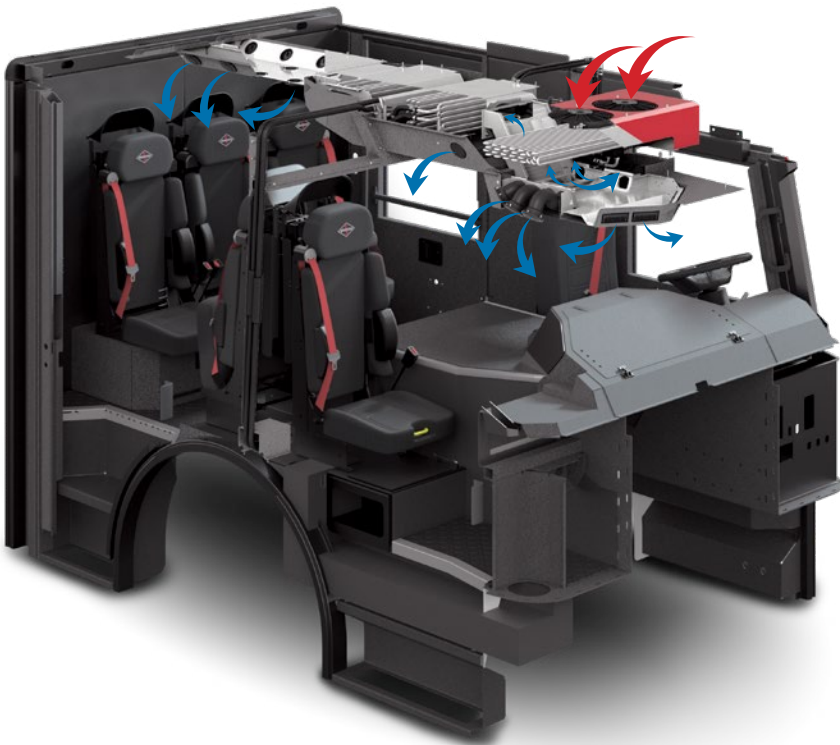
Quality, lean, and continuous improvement systems, plus foundational engineering, add up to the best pumpers in the industry.



Spartan Advanced Climate Control.

Spartan's well-designed cabs also offer the industry's best HVAC system—creating a safer and more comfortable environment for firefighters working in any kind of climate.

Enduring over 20,000 miles of performance and durability testing, Spartan's Advanced Climate Control System exceeds standard performance requirements and maintains a comfortable cab, no matter the condition. Its innovative design helps cool and heat the cab interior aggressively while distributing air volume evenly to all occupants. It also quickly and effectively evacuates condensation, defrosts/defogs, and clears flash fogging—keeping firefighters comfortable and safe to and from every response.



-40° in 30 Minutes

Spartan's Advanced Climate Control System reduces interior cabin air temperature from 122 °F (+/- 3 ° F) to 80 ° F in 30 minutes.*



+232% Air Velocity

Air velocity has been improved by an average of 232 percent, which distributes AC or heat throughout the cab and to all occupants more evenly and quickly than our previous roof-mounted HVAC system.



No Condensation

In testing, with AC on max for one hour with the doors open at 90 ° F and 95 percent relative humidity, all condensate generated by the system had been drained outside of the vehicle.



+80° in 30 Minutes

With the cabin air temperature at 0 ° F, the foot-area average air temperature reaches 80 ° F within 30 minutes.



30-Second Defogging

When in defog mode, the system clears the windshield and the front side glass of any flash fogging in 30 seconds or less. The normal defrost mode pushes air to the windshield and side glass and defrosts in a matter of minutes, even in a fully frosted condition.

*Third party certified to SAE J381 standards. ACC Climate Control, Inc. who meets the requirements of the ISO/EC 17025:2005 international standards. Tests were completed on two different Spartan Gladiator models (10" Raised Roof and Flat Roof).



Independent Front Suspension.

Spartan's emergency response cab and chassis have a heightened level of control and maneuverability due to a wide range of leaf spring or air IFS suspension offerings. Both systems are ideal for carrying the heaviest of loads and help reduce steering effort while maneuvering safely through crowded intersections and tight corners.



Specs

Cramp Angle	Maximum: 53° with 18,000-20,000 lb. front axle weight rating Minimum: 45° with 24,000 lb. front axle weight rating
Suspension Type	Air ride suspension with the ability to raise and lower the height of the chassis.
Stability	Air ride suspension allows the ability to automatically level the vehicle from side to side.
Weight	Light weight, yet durable and allows for more capacity inside the cab for equipment.
Tires	Spartan's IFS allows for a wide range of tire sizes and capabilities.
Safety & Handling	Spartan's engine and transmission module is positioned evenly over the IFS, which provides: <ul style="list-style-type: none">• A lower center of gravity• Engine forward of driver to protect occupants• More crew area in a shorter cab
Ride Quality	Provides a smoother and more controlled ride than a traditional standard I-beam axle.

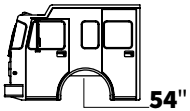


Roof and Cab Options.

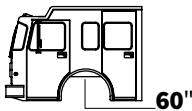
All S-180s come standard with a 10" raised roof as well as multiple seating configurations to provide your crew with extended leg room, improved visibility, and additional storage.

Cab Models

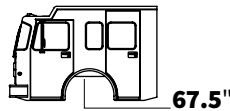
MFD



EMFD



LFD

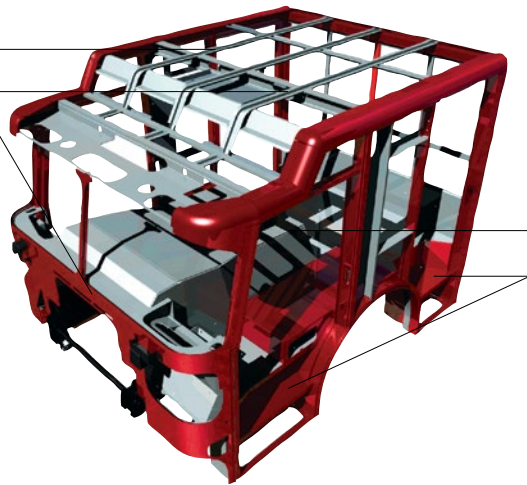


Cab Construction

Reinforced Roof Structure

C-Channel Roof Support

Triple-Reinforced Box Front Bulkhead



Reinforced Engine Compartment

Reinforced Front and Rear Step Assemblies

Built to a Higher Standard.

Quality Construction

- Material alloys and sizes are selected through engineering analysis (FEA) and testing. This results in:
 - Optimum strength-to-weight ratio
 - Improved vehicle performance
 - Less cost in materials
 - 10-year warranty
- The S-180 series features Spartan's exclusive Vibra-Torq Body Mount System. This innovation reduces vibration and stress to provide an extremely durable body. The Vibra-Torq mounting system has a lifetime warranty.

Body Construction

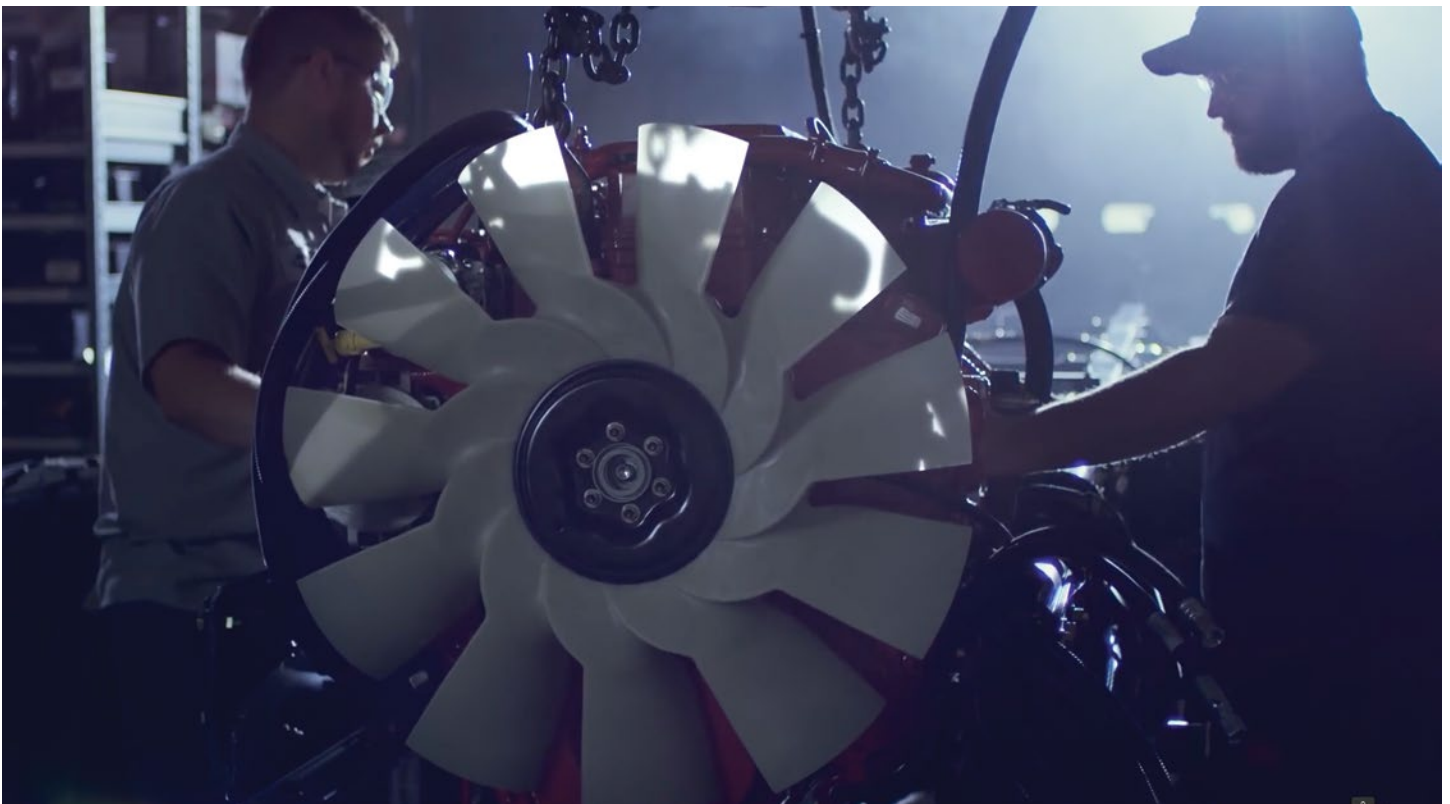
- Aluminum Construction
- Stainless Steel Subframe
- Vibra-Torq Mounted
- Zolatone or Sparliner Compartment Finish

Pump House Construction

- Aluminum Construction
- Stainless Steel Manifolds
- Vibra-Torq Mounted
- Engineered for Serviceability
- Removable Pump Panels

Compartment Storage

- Roll-Up Doors
- Full Sweep-out Design
- SCBA Storage
- Internal Ladder Storage
- 750- to 1000-Gallon Water Tank Capacity
- Overwheel Compartment Simple Storage



S-180 PUMPER FEATURES

All S-180 pumpers are equipped with our best-in-class Advanced Protection System and feature 1500 GPM pumps. The specs differ by model, offering a unique set of configurations for wheelbase, compartment storage, pump brands, and horsepower, giving you the ability to choose the truck that meets your needs.

Model Number	Metro Star Cab Style			Engine Horsepower		APS	Interior Finish	Vmux	GVWR		WB	Bumper Extension
	MFD 10"	EMFD 10"	LFD 10"	380	450				Front	Rear		
2106		●			●	●	Extreme Duty	●	20K	26K	184"	21" w/Front Bumper Discharge
2107			●		●	●	Extreme Duty	●	20K	27K	177.5"	21" w/Front Bumper Discharge
2108	●			●		●	Extreme Duty	●	18K	24K	176"	24" w/Front Bumper Discharge
2111	●				●	●	Extreme Duty	●	20K	27K	206"	18" w/Front Bumper Discharge
2112		●			●	●	Extreme Duty	●	20K	26K	184"	21" w/Front Bumper Discharge
2113		●			●	●	Extreme Duty	●	20K	27K	212"	18" w/Front Bumper Discharge
2114		●			●	●	Extreme Duty	●	20K	26K	184"	21" w/Front Bumper Discharge

Pump 1,500 GPM			Pressure Governor	Tank		Foam System	Body	Generator	Overall Length	Overall Height
Control	Hale DSD	Waterous CSU		750	1,000					
Side		●	InControl 400		●	FoamPro 1600 20 Gallon	156"		32'-2"	10'
Side	●		InControl 400	●		20 Gallon (Tank Only)	156"	HHG 6kW	31'-8"	9'-8"
Side	●		Class 1 TPG		●	20 Gallon (Tank Only)	168"		31'-8"	9'-8"
Top		●	InControl 400		●	20 Gallon (Tank Only)	168"		33'-6"	9'-8"
Side		●	InControl 400			20 Gallon (Tank Only)	156"		32'-2"	10'
Top		●	InControl 400			20 Gallon (Tank Only)	168"		34'	9'-8"
Side		●	InControl 400	●		FoamPro 1600 20 Gallon	156"		32'-2"	10'





PUMPERS