



EMERGENCY RESPONSE

CHASSIS: SPARTAN GLADIATOR LLFD I0RR

ENGINE: CUMMINS L9 450HP

TRANSMISSION: ALLISON 3000 EVS

AXLES: 21,500# FRONT / 31,000# REAR

MODEL: STAR PUMPER

WATER/FOAM: 500 / - GALLONS

PUMP: HALE DSD 1500GPM

FOAM SYSTEM: -

GENERATOR: SMART POWER 10.0 KW

DOOR FRAMED OPENINGS

COMPARTMENT	DOOR FRAMED OPENING
L1	46.5-W x 65.0-H
L2	62.0-W x 31.0-H
L3	46.5-W x 65.0-H
R1	46.5-W x 65.0-H
R2	62.0-W x 31.0-H
R3	46.5-W x 65.0-H
BI	38.0-W x 26.0-H

SPECIAL NOTES:

PUMP PANEL LAYOUT IS REFERENCE ONLY FOR QUOTE. LOCATION OF COMPONENTS WILL CHANGE AS REQUIRED FOR DESIGN AND CUSTOMER INPUTS POST PRECONSTRUCTION

CUSTOMER

THIS DRAWING IS A CLOSE APPROXIMATION OF YOUR FIRE APPARATUS. IN ALL CASES WHERE THE DRAWING AND THE WRITTEN SPECIFICATION DIFFER, THE SPECIFICATION SHALL PREVAIL. PLEASE WORK WITH YOUR DEALER TO ASSURE THAT THE WRITTEN SPECIFICATION REPRESENTS WHAT YOU WANT IN YOUR FINISHED PRODUCT. SPARTAN EMERGENCY RESPONSE BUILDS TO THE WRITTEN SPECIFICATION, NOT THE DRAWING TO ASSURE THAT YOUR NEEDS ARE MET.

PROPRIETARY AND CONFIDENTIAL

THE INFORMATION CONTAINED IN THIS DRAWING IS THE SOLE PROPERTY OF SPARTAN EMERGENCY RESPONSE. ANY REPRODUCTION IN PART OR AS A WHOLE WITHOUT THE WRITTEN PERMISSION OF SPARTAN EMERGENCY RESPONSE IS PROHIBITED. SPARTAN FIRE, LLC. D/B/A SPARTAN EMERGENCY RESPONSE.

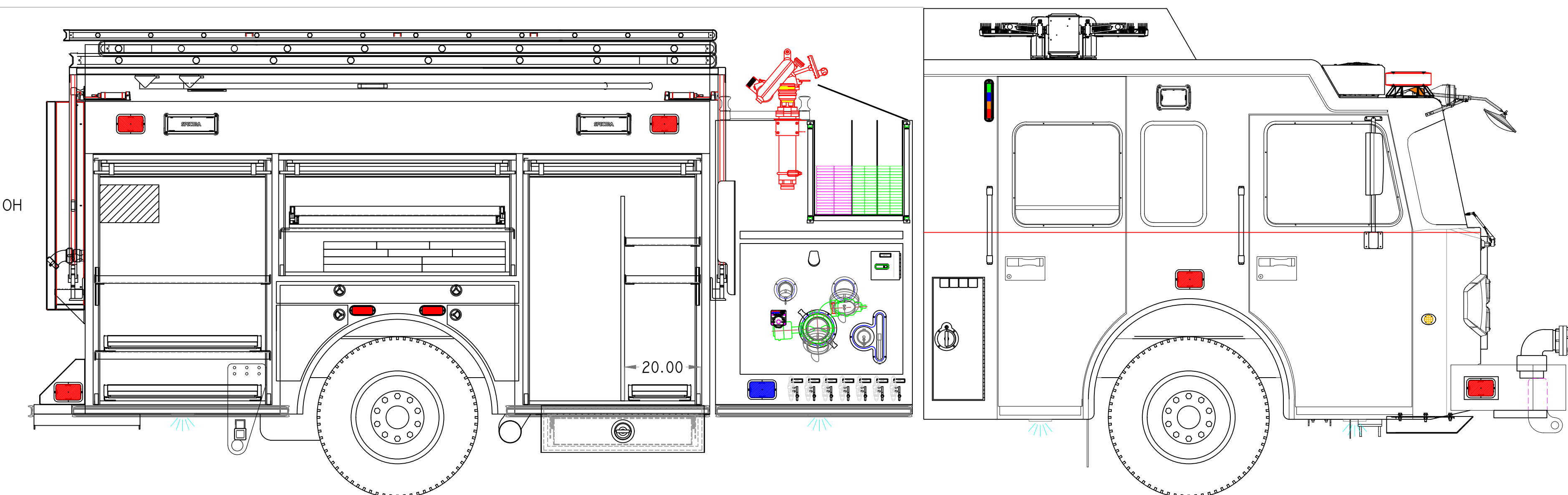
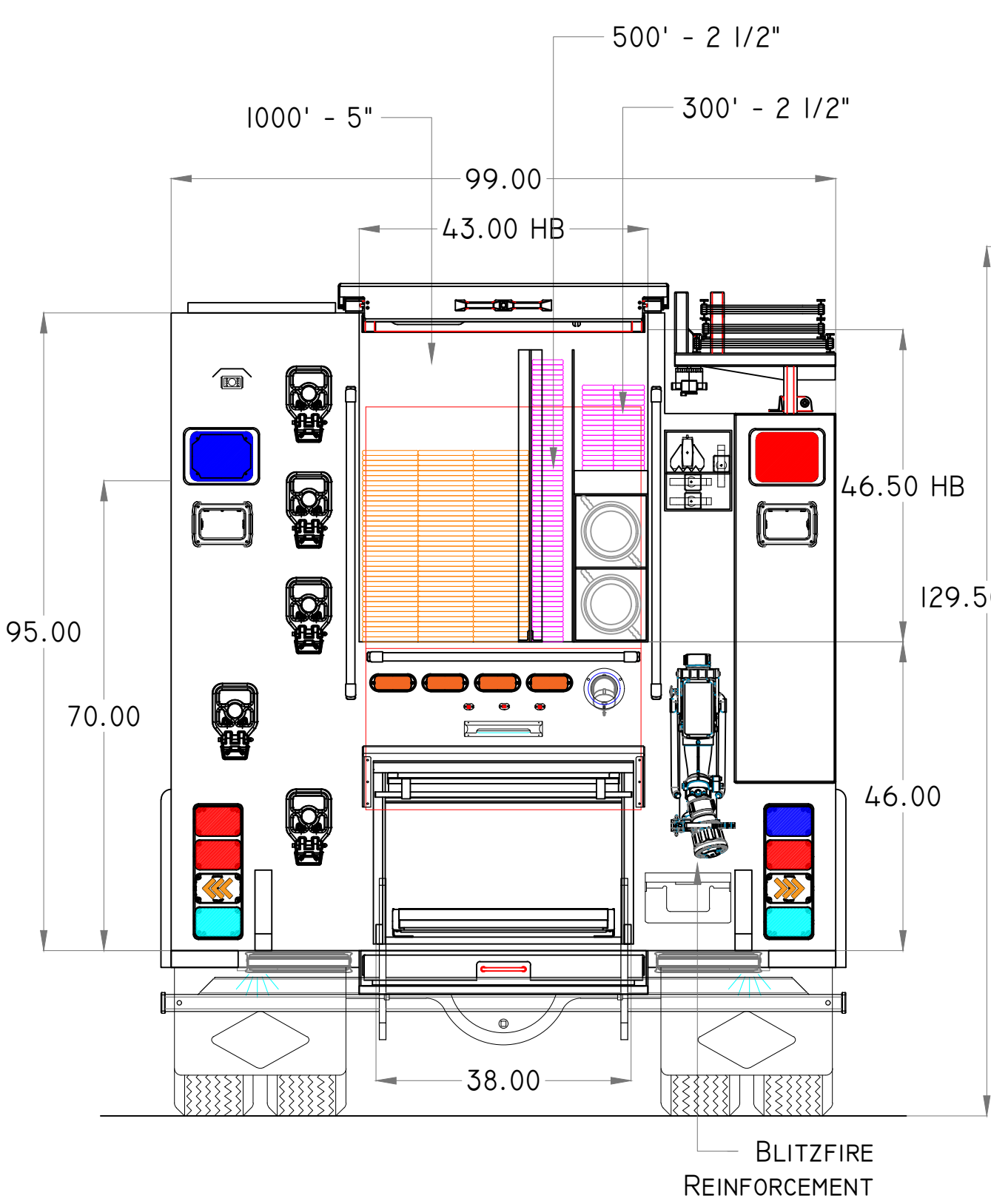
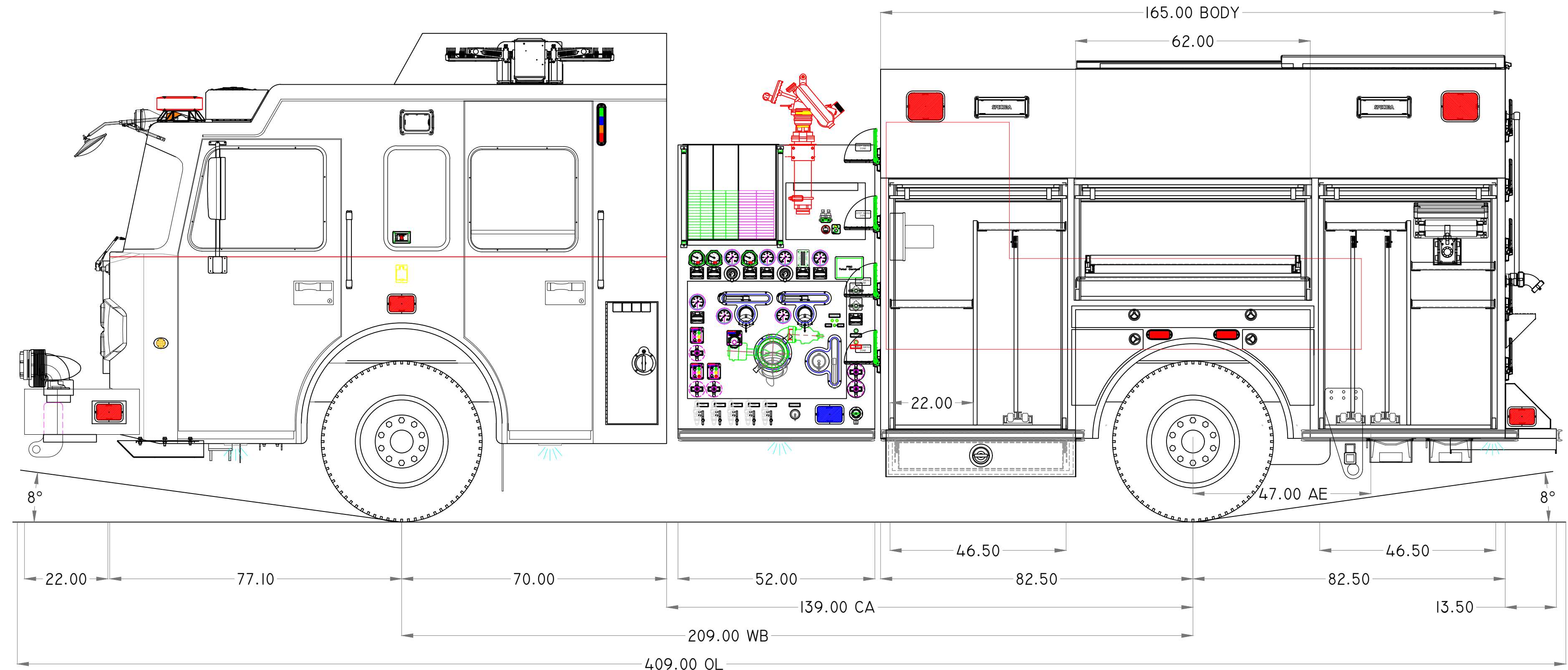
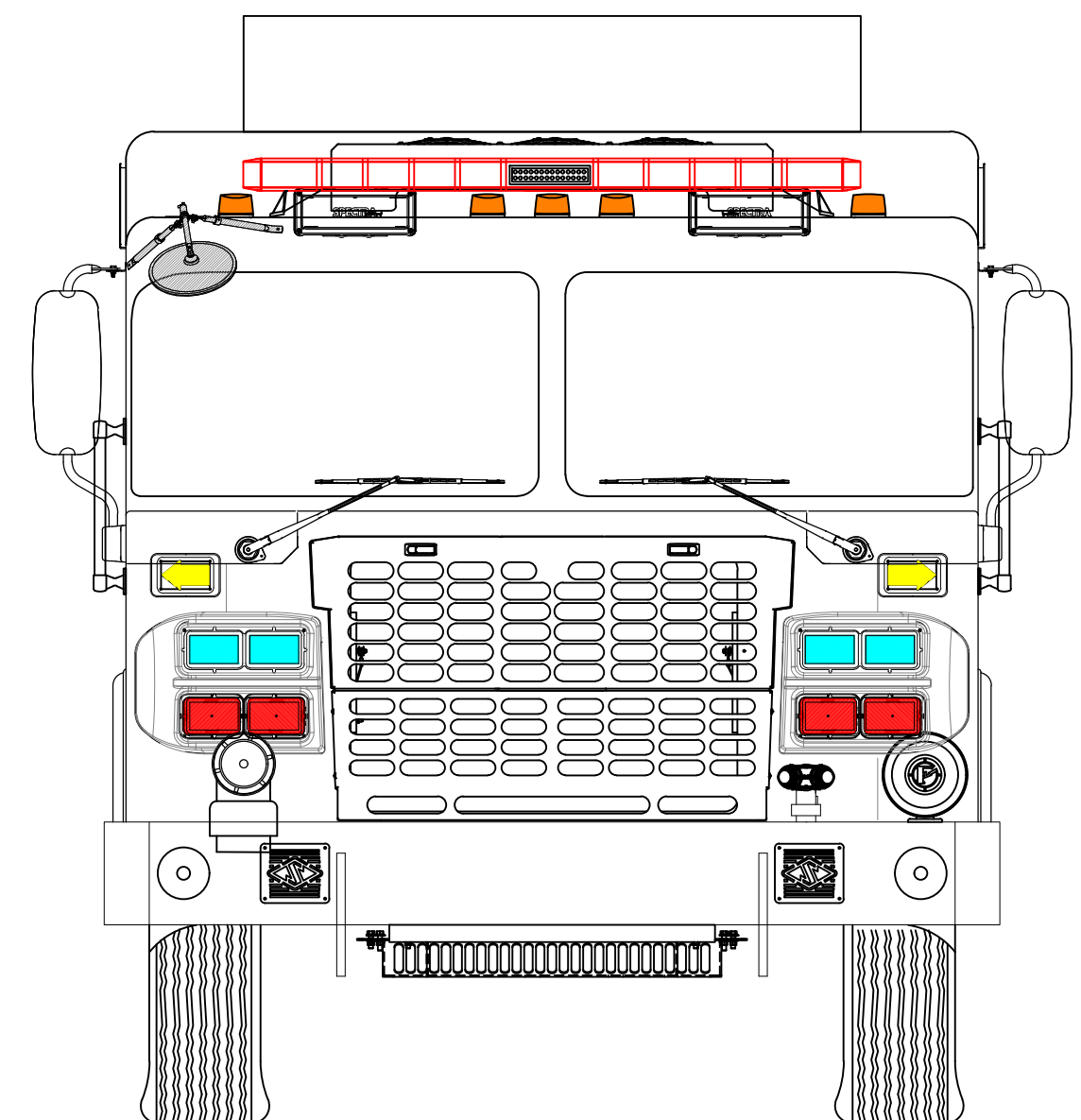
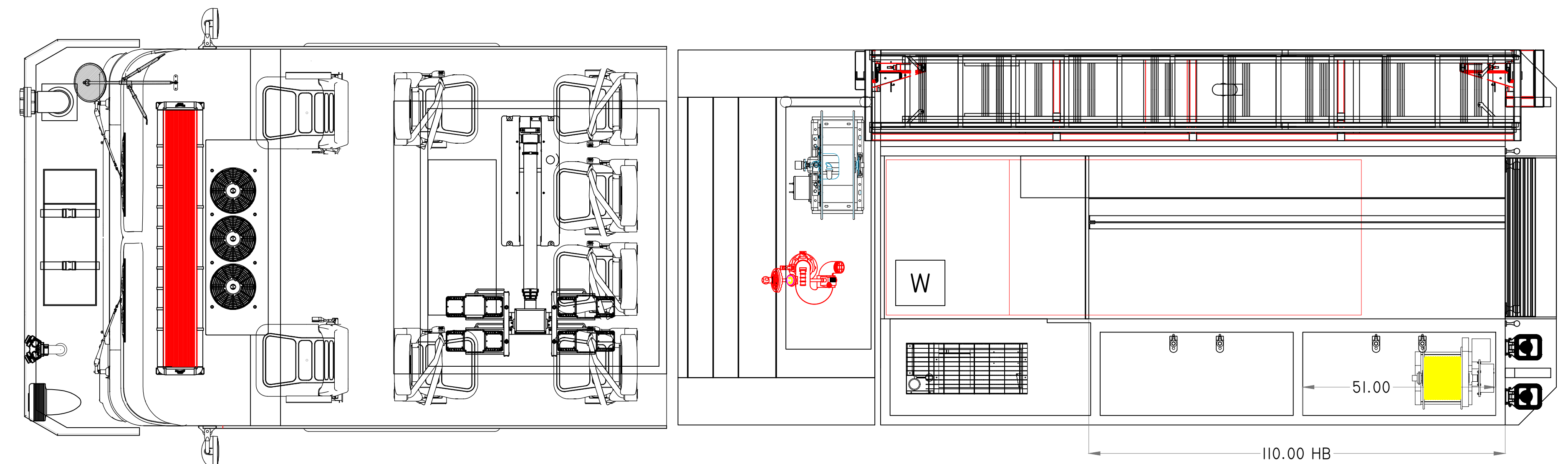
REV	DATE	DESCRIPTION	NAME
6	08/18/21	NEW FILES	M.G.H.
5	02/20/20	NEW FILES	M.G.H.
4	12/19/18	NEW FILES	M.G.H.
3	11/12/18	CHANGES IN WORD DOC.	M.G.H.
2	10/11/18	CHANGES	R.H.
1	10/03/18	NEW FILES	M.G.H.
0	06/12/18	INITIAL PROPOSAL	R.H.

SCALE: NOT TO SCALE

CUSTOMER: **PORT JERVIS FIRE DEPARTMENT**

TRUCK NUMBER: 000000

DEALER: CAMPBELL SUPPLY



BLITZFIRE REINFORCEMENT